





## With WINTERSTEIGER the future belongs to you.

With our Omega machine series, WINTERSTEIGER has again emphasized the fact that progress is a matter of forward thinking. Our manual base grinding machines are the result of a development process that is consistently oriented on the needs of the various target groups. Even better ergonomics, amazing flexibility combined with leading-edge technology and first-class after sales service assure the best possible conditions for success, and the ultimate skiing and snowboarding experience.

With our Omega model range, WINTERSTEIGER offers a large variety of machines for best in class tuning, tailored to the individual requirements of each shop. The range of machines starts with the simple Omega B belt grinding machine, continues with stone grinding and belt combinations, and pinnacles in the Omega Racing models which feature proven racing technology and parameter-controlled racing structures. To discover the potential for success that the world market leader offers you with our Omega series, check out the details on the following pages.



## **Contents:**

<b>The Omega family</b>	<b>4</b>
<b>Omega SBI / RSBI</b>	<b>10</b>
Inline stone/belt grinding machine for skis, snowboards and cross country skis	
Inline racing stone/belt grinding machine for skis, snowboards and cross country skis	
<b>Omega S / RS 150</b>	<b>14</b>
Stone grinding machine for skis and cross country skis	
Racing stone grinding machine for skis and cross country skis	
<b>Omega S / RS 350</b>	<b>18</b>
Stone grinding machine for skis, snowboards and cross country skis	
Racing stone grinding machine for skis, snowboards and cross country skis	
<b>Omega B</b>	<b>22</b>
Belt grinding machine for skis and snowboards	
<b>After Sales Service</b>	<b>25</b>



## The flexible Omega family

Tailored quality for service professionals and racing specialists.

Our experience shows that providing machines that meet the individual requirements of a service shop is very important, especially for manual machines. For this reason, WINTERSTEIGER now offers more customization options with the Omega series.

Building on the extremely successful Sigma family, we have optimized our proven technologies while integrating innovations, for example, the Race NC and the new WINTERSTEIGER automated machines. The Omega series is the result of in-house development and production that only the world market leader can offer.



### Your benefits summed up:

- Great control comfort due to a new economic design
- Optional equipment packages for individual needs
- All controls positioned within easy reach
- Rugged design and space-saving machine concept
- Touchscreen display with „Easy Go“ quick selection buttons
- Entry-level model without pneumatic system (no compressed air required)
- Large selection of consumables

### Perfection for any ski or snowboard model:

- Rocker, V-shape, Carver
- All Mountain, Freeride, Touring Skis
- Cross-country, Telemark, Back Country
- Snowboards

# Work made even easier

## Making the best features even better!



### Perfection in ergonomics.

All controls and water valves are located within easy reach of the operator. Simply activate them by pressing on the touch screen.

### „Easy Go“ quick selection buttons.

The factory default grinding programs can be customized at the control panel with an intuitive user interface and a large touchscreen display. Simply store your 3 preferred programs (A, B, C) on the „Easy Go“

quick access buttons (e.g., for pre-grinding, finish grinding and rental skis). You can see the parameters of the selected program on the touch-screen display. Colored LED light ring buttons keep you up-to-date with the current machine status.

The optional structure generator in the racing package suggests the best possible structure based on current snow and temperature conditions.



### Control and comfort.

Thanks to an ergonomically shaped front cover and the folding handle on the feed, the operator can stand closer to the stone or belt while grinding. The new, hydraulic feed lift (option) allows for easy operation of the feed system.

### Sharp edges.

The side edge grinding unit that is optionally available for the Omega B and SBI guarantees sharp edges and the desired grinding angle, which can be quickly and conveniently set (between 86° and 90°).

### Clean machine.

An easily replaceable filter and the optional fine filter ensure perfect cleanliness without unnecessary effort.



### Optimum application of pressure.

The three wheel feed system allows distribution of pressure to specific areas across skis, snowboards or cross country skis in a targeted way. This allows for optimum and precise structures across any base, especially when grinding convex or concave bases.

# Your Omega stone grinding machine

Individually increase machine performance, package by package!

Omega stone grinding machines offer you more than just a choice of various grinding stones and diamonds. They offer the freedom to improve each machine's performance as needs dictate, up to a full-fledged racing machine.

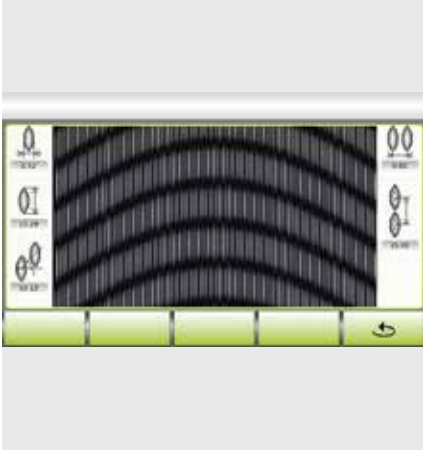
You can choose from a variety of individual packages which, all told, result in the Racing-Plus Package.

Racing-Plus Package		
Structure package	Feed package	Spray and filter package
<b>Omega S / RS</b>		
<ul style="list-style-type: none"><li>■ An even more precise grinding pattern for the racing specialist</li><li>■ Fine, tunable structure depth (steps of 0.01 mm) and a two-sided diamond feed</li><li>■ Virtually unlimited structure versatility and parameter-controlled structure suggestions</li><li>■ Custom structures (e.g. wave and arrow) thanks to a centering unit</li></ul>	<ul style="list-style-type: none"><li>■ Servo-controlled pressure curves and relief</li><li>■ Even more consistent results thanks to a proven racing feed</li><li>■ Choice of control pedals for ergonomic use</li><li>■ Optional feed wheels</li><li>■ Dry feed rollers thanks to the stone cover on the RS 150 and RS 350</li></ul>	<ul style="list-style-type: none"><li>■ Intelligent water spray with use of automatically controlled water valves</li><li>■ Optimum stone cleaning thanks to improved pump performance</li><li>■ Fine filter for improved water quality</li></ul>
<b>Omega SBI / RSBI</b>		
<ul style="list-style-type: none"><li>■ An even more precise grinding pattern for the racing specialist</li><li>■ Fine, tunable structure depth (steps of 0.01 mm) and a two-sided diamond feed</li><li>■ Virtually unlimited structure versatility and parameter-controlled structure suggestions</li><li>■ Custom structures (e.g. wave and arrow) thanks to a centering unit</li></ul>	<ul style="list-style-type: none"><li>■ Even more consistent results thanks to a proven racing feed</li></ul>	<ul style="list-style-type: none"><li>■ Intelligent water spray with use of automatically controlled water valves</li><li>■ Optimum stone cleaning thanks to improved pump performance</li><li>■ Fine filter for improved water quality</li></ul>

# The Racing-Plus Package includes all of the available individual packages. Ideal for racing specialists who are uncompromising in terms of performance.

## Structure package

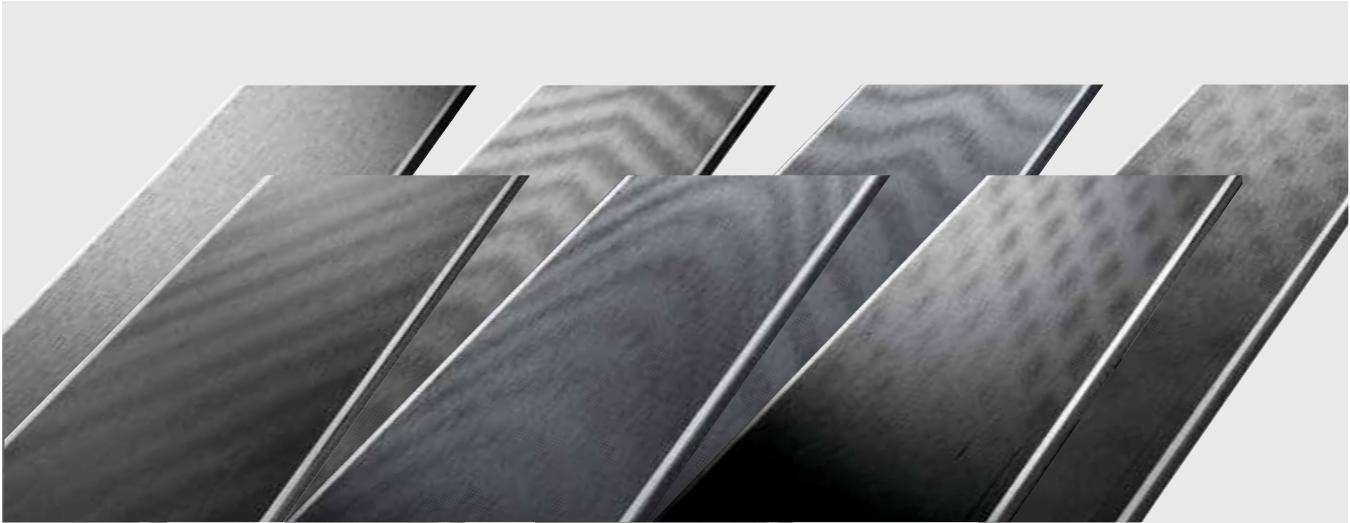
The structure package gives you the option of creating and applying an unlimited variety of structures. The package includes a high-performance dressing unit, which is also used by the Race NC, the racing service flagship machine by WINTERSTEIGER. In addition to this, the optimized centering system ensures easier handling, even for center specific structures.



Structure preview



Optimized centering for even easier handling



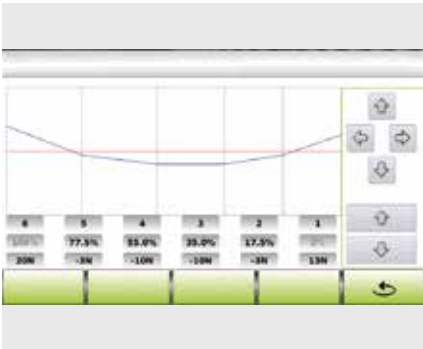


## Feed package

The feed package for the Omega S 150 and S 350 supports specific adjustment of pressure curves thanks

to pneumatic pressure control. At the same time, a choice of pedal options adds more flexibility to your workflow.

The proven racing feed guarantees best-in-class precision.



Pressure relief and pressure curve servo-controlled



Proven racing feed



Design your workplace even more ergonomically with a choice of various control pedals.



WINTERSTEIGER offers a wide range of feed rollers and has the perfect roller for every use.



## Spray and filter package

Racing specialists demand maximum spraying pressure and exceptionally filtered water. The spray and filtering package addresses these needs with an automatic valve which adapts the stone spraying system to match your workflow. Practical: the Omega SBI automatically switches over between belt and grinding stone.



### Stone cover.

Keeps the workspace dry on the RS 150 and RS 350.

### High performance pump.

Guaranteed high spraying pressure for demanding racing specialists.



## Omega SBI / RSBI – full performance on a minimal footprint

The inline (racing) grinding stone/belt grinding machine for skis, snowboards and cross country skis.

The compact Omega SBI combines the full range of services of a professional machine for both belt sanding and stone grinding. The compact footprint allows the machine to be placed right next to a wall for additional savings of valuable space. The Omega SBI is generously dimensioned in terms of performance and operator convenience. The touchscreen display on the operator station can be used to store custom grinding programs for the grinding stone and belt modules. Three preferred programs can be assigned to the three „Easy Go“ quick selection buttons.

Opting for the Omega RSBI means increasing your structure options by several degrees of magnitude, while at the same time improving precision through a centering mechanism as used for racing structures.



Omega SBI with side edge grinder

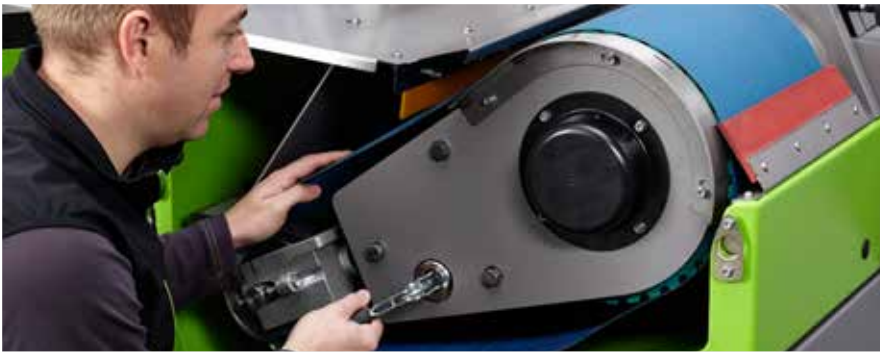
Omega RSBI

### Your benefits summed up:

- Stone grinding and belt sanding in a single machine
- Rugged, space-saving design
- Touchscreen display with „Easy Go“ quick selection buttons
- Easy to operate
- Easy handling through supported feed lift options
- Operation without pneumatics (no compressed air required)

### Additionally with the racing package:

- Customizable to suit your individual needs
- Even more structure options including center specific structures



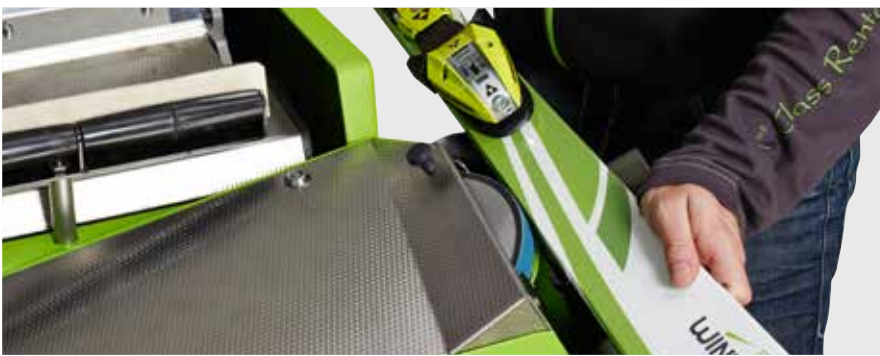
### Belt replacement in record time.

Replacing the processing belts is a matter of just a few actions with automatic belt tracking thanks to a self-centering idler wheel. Easy cleaning of the machine was one of the first design features that was considered.



### Rapid switching from grinding stone to belt.

You can quickly switch over from stone to belt processing and back with a single action.



### Sharp edges.

This is what innovative grinding looks like today: the optimized SEG unit supports clean and consistent grinding results without a learning curve. The desired grinding angle between 86° and 90° can be set quickly and conveniently.



### Fast pregrinding.

Simply switch over the machine to belt operation if pregrinding is needed. The belt module is also perfectly suited for processing snowboards.

## Options for your success

- Individually selectable equipment packages start on page 7. Your WINTERSTEIGER sales representative will be pleased to provide more information on equipment details.
- Benefit from best-in-class WINTERSTEIGER quality grinding stones and diamonds.
- Choose from a variety of contact wheel hardness levels for optimum grinding results.
- Perfect edge beveling with the optional side edge grinding unit.



### Unlimited memory slots for grinding programs.

Memory slots for grinding programs offer unlimited versatility in terms of structures. Structures can also be saved on a USB stick.

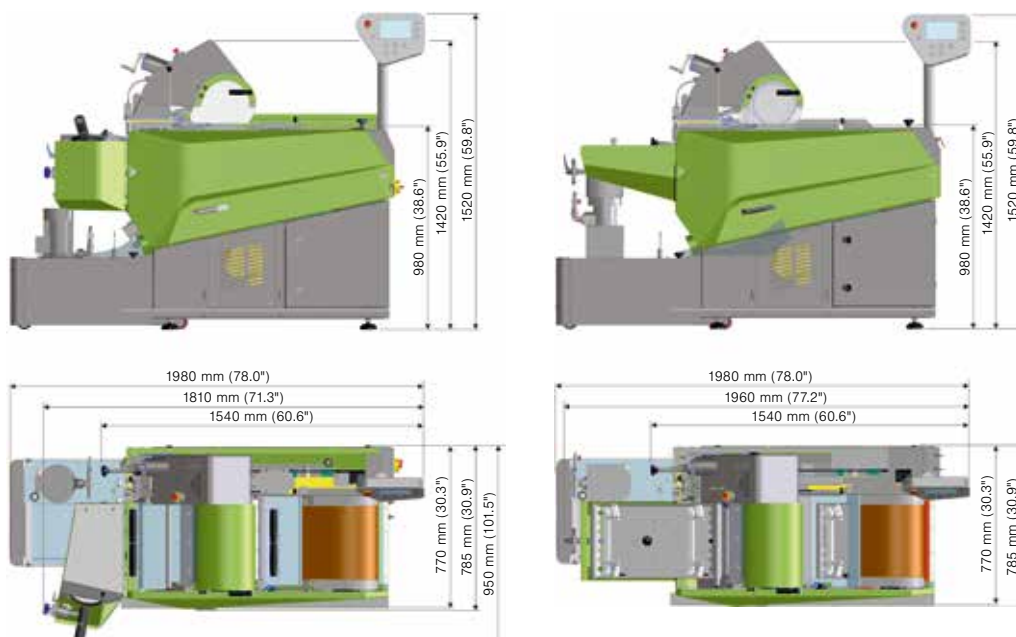
# Omega SBI / RSBI

## Figures. Data. Facts.

### Technical specifications

	Omega SBI with side edge grinder	Omega SBI without side edge grinder	Omega RSBI
Grinding stone	Ø 300 x 350 mm		
Stone speed min. – max.	300 – 1300 rpm		
Dressing speed min. – max.	3 – 25 mm/sec		3 – 35 mm/sec
Feed speed min. – max.	5 – 18 m/min		
Feed pressure stone min. – max.	140 – 450 N		
Grinding belt	350 x 1600 mm		
Weight	678 kg (1,495 lbs)	643 kg (1,418 lbs)	673 kg (1,484 lbs)
Water tank volume	80 liters (21 gal)		
Noise emission max.	81 dB (A)		
Nominal voltage	3/N AC 400 – 415 V, 50 Hz		
Belt speed	540/1080 rpm		
Nominal load	4,4 kW		5,3 kW
Rated current	10,1 A		12,3 A
Fuse protection min. – max.	16 – 20 A		
Nominal voltage	3 AC 208 – 230 V, 60 Hz		
Belt speed	660/1290 rpm		
Nominal load	5,0 kW		4,9 kW
Rated current	16,3 A		17,9 A
Fuse protection min. – max.	20 A		20 – 25 A
Nominal voltage	1 AC 208 – 230 V, 60 Hz		–
Belt speed	250 – 1250 rpm, stepless		–
Nominal load	4,3 kW		–
Rated current	15,2 A		–
Fuse protection min. – max.	20 – 25 A		–
<b>Side edge grinder (option)</b>			
Grinding belt	20 x 1200 mm		

We reserve the right to make technical alterations.





## Omega S / RS 150 – your entry into the master class

The (racing) stone grinding machine for skis and cross country skis.

The Omega S 150 is your ideal point of entry into the world of stone grinding – but the Omega RS 150 allows you to set your sights on the race grinding master class as well. Inspired by the Race NC, its 150 mm stone width has passed the test of racing with flying colors, as has the positioning of the drive shaft for its stone unit, which, as is the case in racing grinding, is connected directly to the motor. The feed rollers are another feature taken from the Race NC, our racing service flagship.



Omega S 150



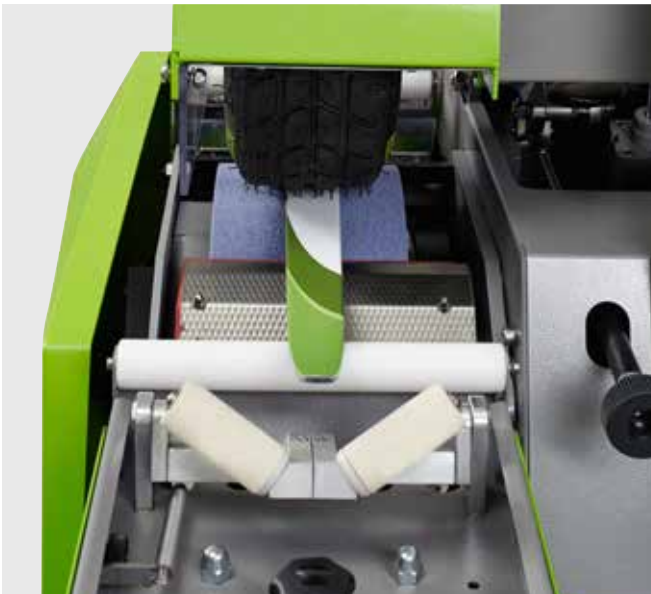
Omega RS 150

### Your benefits summed up:

- Professional stone grinding at an entry-level price
- Ergonomic, rugged and compact design
- Touchscreen display with „Easy Go“ quick selection buttons
- Easy to operate
- Easy handling through supported feed lift options
- Optimum support for cross country skis

### Additionally with the racing package:

- Customizable to suit your individual needs
- Centering unit for custom racing structures



Centering unit supports custom racing structures



### Convenient workflow.

Optional run-out supports ensure a convenient and ergonomic workflow.

### Options for your success

- Individually selectable equipment packages start on page 7. Your WINTERSTEIGER sales representative will be pleased to provide more information on equipment details.
- Benefit from best-in-class WINTERSTEIGER quality grinding stones and diamonds and from a range specially designed for both cross-country and alpine skis.
- Optional run-out supports facilitate your daily work.



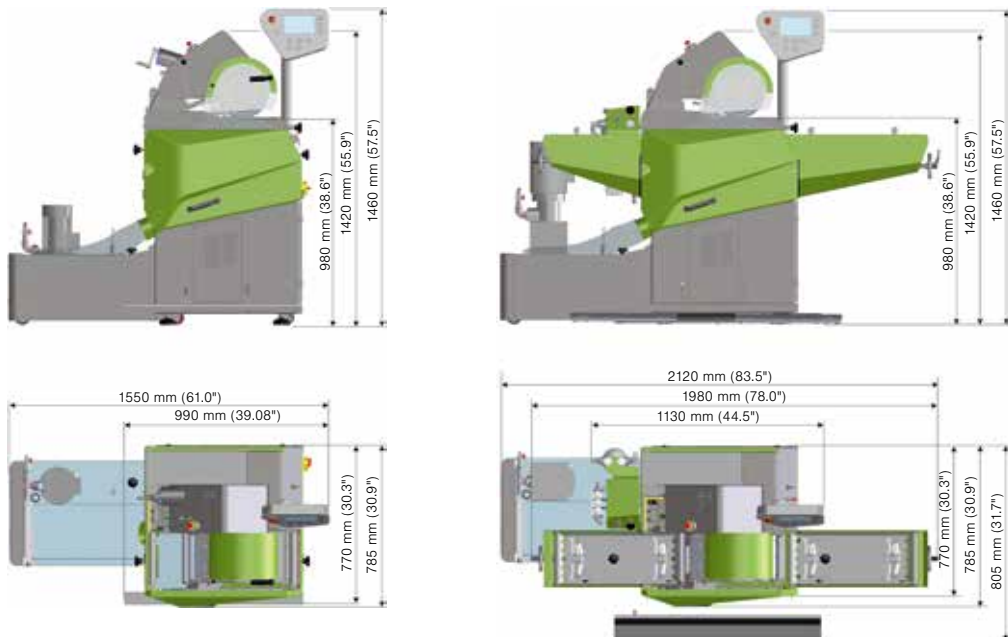
# Omega S 150 / RS 150

## Figures. Data. Facts.

### Technical specifications

	Omega S 150	Omega RS 150
Grinding stone	Ø 350 x 150 mm	
Stone speed min. – max.	250 – 1300 rpm	
Dressing speed min. – max.	3 – 25 mm/sec	3 – 35 mm/sec
Feed speed min. – max.	5 – 18 m/min	
Feed pressure stone min. – max.	140 – 450 N	50 – 500 N
Weight	375 kg (827 lbs)	452 kg (997 lbs)
Water tank volume	80 liters (21 gal)	
Noise emission max.	78,8 dB (A)	
Nominal voltage	3/N AC 400 – 415 V, 50 Hz	
Nominal load	3,2 kW	3,7 kW
Rated current	9,8 A	10,8 A
Fuse protection min. – max.	16 – 20 A	
Nominal voltage	3 AC 208 – 230 V, 50/60 Hz	
Nominal load	3,2/3,8 kW	3,7/3,7 kW
Rated current	15,5/15,6 A	17,0/17,2 A
Fuse protection	20 A	
<b>Compressor (not included)</b>		
Liter output	-	min. 50 l/min at 7 bar

We reserve the right to make technical alterations.





## Omega S / RS 350 – 2 structures on one grinding stone

The (racing) stone grinding machine for skis, snowboards and cross country skis.

Besides the typical benefits of the Omega model range, a special feature of these models is the grinding stone width of 350 mm. You won't just be able to grind snowboards; you'll also be able to work very efficiently, because the stone is divided. You can create two structures at the same time by setting a different structure on either half of the stone.

The benefit is that it allows pre-grinding on one half of the stone and then follow up immediately with fine grinding on the other half. It is hard to imagine a more rational approach. Another positive aspect is the 100 memory slots to store any program needed in the machine. For racing specialists, the Omega RS 350 also offers a centering unit that supports easy and precise grinding of center specific racing structures (e.g., arrows structures).



Omega S 350

Omega RS 350

### Your benefits summed up:

- „Easy Go“ quick selection buttons
- Ergonomic and rugged machine
- Two different structures on one grinding stone
- Professional stone grinding at an entry-level price
- Easy to operate

### Additionally with the racing package:

- Customizable to suit your individual needs
- Centering unit for custom racing structures



**Centering unit supports custom racing structures.**

Optimum use of the grinding stone thanks to various centering positions.

**Options for your success**

- Individually selectable equipment packages start on page 7. Your WINTERSTEIGER sales representative will be pleased to provide more information on equipment details.
- A huge selection of consumables ensures perfect service from cross country skis, through rocker models to snowboards.
- Benefit from best-in-class WINTERSTEIGER quality grinding stones and diamonds.
- Optional run-out supports ensure a clean workplace.



**Convenient workflow.**

Optional run-out supports ensure a convenient and ergonomic workflow.

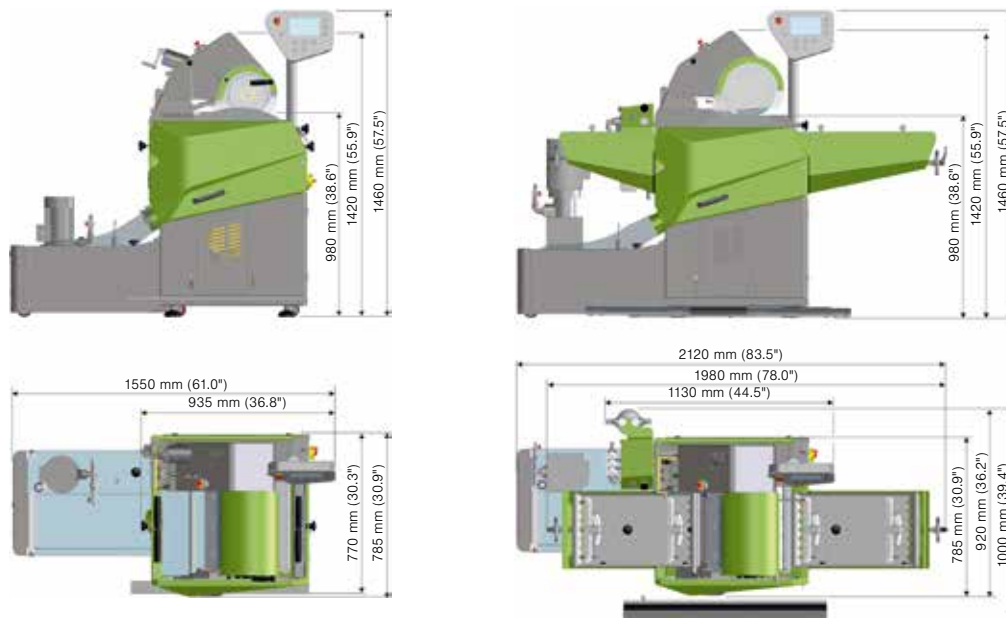
# Omega S 350 / RS 350

## Figures. Data. Facts.

### Technical specifications

	Omega S 350	Omega RS 350
Grinding stone	Ø 300 x 350 mm	
Stone speed min. – max.	300 – 1300 rpm	
Dressing speed min. – max.	3 – 25 mm/sec	3 – 35 mm/sec
Feed speed min. – max.	5 – 18 m/min	
Feed pressure stone min. – max.	140 – 450 N	50 – 500 N
Weight	406 kg (895 lbs)	487 kg (1,074 lbs)
Water tank volume	80 liters (21 gal)	
Noise emission max.	81,2 dB (A)	
Nominal voltage	3/N AC 400 – 415 V, 50 Hz	
Nominal load	3,6 kW	4,1 kW
Rated current	10,1 A	11,2 A
Fuse protection min. – max.	16 – 20 A	
Nominal voltage	3 AC 208 – 230 V, 50/60 Hz	
Nominal load	3,6/4,2 kW	4,1/4,1 kW
Rated current	16,1/16,2 A	17,9/17,9 A
Fuse protection	20 A	
<b>Compressor (not included)</b>		
Liter output	-	min. 50 l/min at 7 bar

We reserve the right to make technical alterations.





Omega B

Omega B with feed and side edge grinder

## Omega B – rugged and versatile

The flexible belt grinding machine for skis and snowboards.

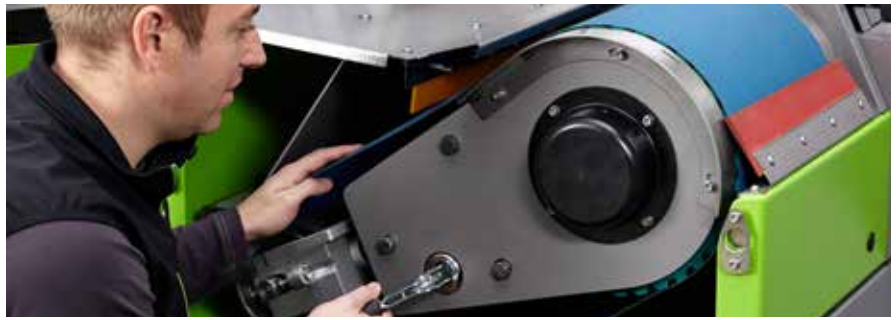
The Omega B's biggest benefit is its universal field of applications. This not only makes this top class belt grinding machine a solid stand-alone solution, but also the ideal supplement to any existing machines. Running the Omega B for pre-grinding, tuning, cold waxing, deburring, or polishing, the 350 mm belts can be replaced easily with just a few actions, guaranteeing first-class processing of skis and snowboards.



**Full overview.**

The easily understandable and intuitively arranged operator station gives you full control of all of the Omega B's features.

Two belt speeds and the infinitely controllable feed speed ensure individual belt sanding.



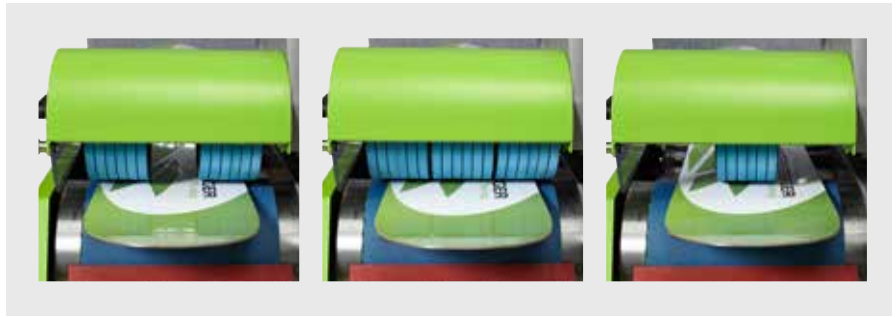
**Belt replacement in record time.**

Replacing the processing belts is a matter of just a few actions with automatic belt tracking thanks to a self-centering idler wheel. Easy cleaning of the machine was one of the first design features that was considered.



**Constant feed.**

The optional autofeed features variable speed.



**Optimum application of pressure.**

The three wheel feed system allows distribution of pressure to specific areas across skis, snowboards or cross country skis in a targeted way ensuring an optimum and uniform base structure, even on convex or concave bases.



**Sharp edges.**

This is what innovative grinding looks like today: the optimized SEG unit supports clean and consistent grinding results without a learning curve. The desired grinding angle between 86° and 90° can be set quickly and conveniently.

**Options for your success**

- Optionally available with a full-fledged feed unit for perfect work
- Variety of contact wheel hardness levels for optimum grinding results
- Optional side edge grinding unit
- Optional hydraulic feed unit for even easier work

**Your benefits summed up:**

- Small footprint
- Fast and easy belt replacement
- Choice of contact wheel hardness levels with a self-centering tracking
- Optimum pressure thanks to PCS (Pressure Control System) feed, up to 450 N
- Ergonomic and rugged machine

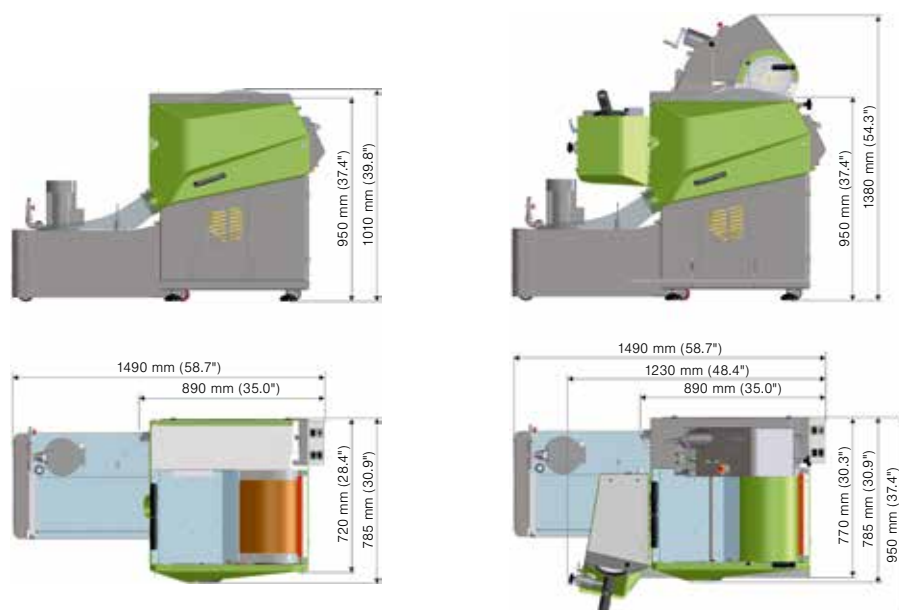
# Omega B

## Figures. Data. Facts.

### Technical specifications

	Omega B	Omega B with feed	Omega B with side edge grinder	Omega B with feed and side edge grinder
Grinding belt	350 x 1600 mm			
Water tank volume	80 liters			
Noise emission max.	80 dB (A) (21 gal)			
Weight	320 kg (705 lbs)	370 kg (815 lbs)	355 kg (783 lbs)	405 kg (893 lbs)
Nominal voltage	3/N AC 400 – 415 V, 50 Hz			
Belt speed	540/1080 rpm			
Nominal load	4,0 kW	4,4 kW	4,5 kW	4,9 kW
Rated current	8,1 A	10,1 A	9,2 A	11,2 A
Fuse protection min. – max.	16 – 20 A			
Nominal voltage	3 AC 208 – 230 V, 60 Hz			
Belt speed	660/1290 rpm			
Nominal load	4,7 kW	5,0 kW	5,1 kW	5,5 kW
Rated current	14,3 A	16,3 A	16,4 A	18,3 A
Fuse protection	25 A			
Nominal voltage	1 AC 208 – 230 V, 60 Hz			
Belt speed	830 rpm			
Nominal load	3,8 kW	4,2 kW	4,6 kW	4,9 kW
Rated current	19,5 A	21 A	23 A	25 A
Fuse protection	25 A			
<b>Feed (option)</b>				
Feed speed min. – max.	5 – 20 m/min			
Feed pressure min. – max.	140 – 450 N			
<b>Side edge grinder (option)</b>				
Grinding belt	20 x 1200 mm			

We reserve the right to make technical alterations.





# WINTERSTEIGER complete. Customer services.

**WINTERSTEIGER sees its mission not only in the manufacture of innovative products for optimum customer benefit. Our demands and expectations go far beyond that. We understand the need for an accompanying partnership process that includes a range of optional services:**

## **From planning to implementation.**

WINTERSTEIGER provides complete system solutions for individual customer-specific requirements in all aspects of rental and servicing of skis and snowboards, including 3D planning, amortization and profitability analyses.

## **Strong customer service team.**

A large team of extremely well-trained service technicians takes comprehensive care of the following:

- Machine set up
- Training courses
- Service stop-bys
- Preventive maintenance
- Advice
- Modifications
- Problem solving
- Repairs
- Support
- Fast spare parts supply

## **Individually tailored finance packages.**

WINTERSTEIGER can offer you individually tailored finance packages, e.g. leasing or invoicing according to servicing demand.

## **Marketing partnership.**

WINTERSTEIGER will support you in advertising your ski service. Together we will optimize your efficiency using professional advertising materials.



Success begins with the right decisions. At the right time.  
We look forward to you!



First Class  
**WINTERSTEIGER**  
Ski & Board Tuning

**Headquarters:**

**Austria:** WINTERSTEIGER AG, 4910 Ried, Dimmelstrasse 9, Tel.: +43 7752 919-0, Fax: +43 7752 919-52, sports@wintersteiger.at

**International Companies:**

**Canada:** WINTERSTEIGER Inc., CDN-Laval Q.C. H7L 5A1, 964 Bergar Street, Tel.: +1 450 6637800, Fax: +1 450 6632896, info@canada.wintersteiger.com

**Germany:** WINTERSTEIGER AG, Subsidiary Germany, 99310 Arnstadt, Alfred-Ley-Strasse 7, Tel.: +49 3628 66399 1970, Fax: +49 3628 66399 1973, sports@wintersteiger.at

**France:** SKID-WINTERSTEIGER S.A.S., 73800 Ste. Hélène du Lac, Parc d'Activités Alpespace, Tel.: +33 479 25-1160, Fax: +33 479 25-1161, office@skid-wintersteiger.com

**Italy:** WINTERSTEIGER Italia s.r.l., 39030 La Villa in Badia (BZ), Strada Ninz, 82, Tel.: +39 0471 844 186, Fax: +39 0471 188 1664, info@wintersteiger.it

**Russia:** OOO WINTERSTEIGER, Krzhizhanovsky Str. 14, Build. 3, 117218 Moscow, Russia, Tel.: +7 495 645 84 91, Fax: +7 495 645 84 92, office@wintersteiger.ru

**Switzerland:** WINTERSTEIGER Schweiz AG, 6331 Hünenberg, Chamerstrasse 44, Tel.: +41 41 780 23 22, Fax: +41 41 780 23 90, office@wintersteiger.ch

**USA:** WINTERSTEIGER Inc., 4705 Amelia Earhart Drive, Salt Lake City, UT 84116-2876, Tel.: +1 801 355-6550, Fax: +1 801 355-6541, mailbox@wintersteiger.com

**Representations:**

Argentina, Australia, Benelux, Bosnia Herzegovina, Bulgaria, Chile, China, Croatia, Czech Republic, Denmark, Finland, Great Britain, Hungary, Japan, Macedonia, New Zealand, Norway, Poland, Romania, Serbia, Slovakia, Slovenia, Spain, South Korea, Sweden. Contact details for our representatives are available on [www.wintersteiger.com/sports](http://www.wintersteiger.com/sports).